

ECOSPITAL HEAD 220-240V AUS/CABLE REF. 21151 KNZ

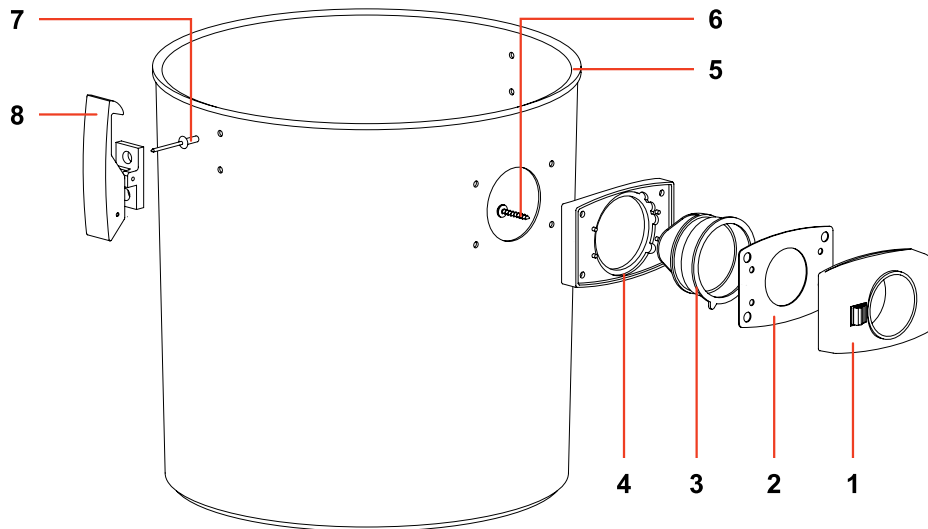
POS.	REF.	DESCRIPTION	N°
1	1006	SCREW PFU TMT PHL 5X20 BLACK	1
2	3273	SCREW PAT TMT PHL 5X55 BLACK	2
3	20725VHA	TOPPER HANDLE 500 VHA	1
4	1006	SCREW PFU TMT PHL 5X20 BLACK	2
5	20726VHA SL	COVER TOPPER WL VHA	1
6	7603GI13/C	PRES.13KPA W/LIGHT SIGNAL. W/FAST	1
7	114	SWITCH	1
8	117 AUS	ELECTRIC CORD 2X1 MT.8,5 AUS.	1
9	138	FAIRLEAD	1
10	139	CABLE CLAMP	1
11	1006	SCREW PFU TMT PHL 5X20 BLACK	1
13	3464	TERMINAL BOARD 300/500 EU/NEV	1
14	1050	SCREW PAT TMT PHL 5X35 BLACK	6
15	3383 AUVHA	COVERING CAP SELF-EXTING. VHA	1
16	21538	OR RUBBER D.65X2,5	1
17	2738 SLVHA	COVERING 99 W/O HOLES WL VHA	1
18	21404	SHAPED GUIDING SLIT- 2 LEADS	1
19	7708 SAN	HEPA FILTER D.224X167 H=70 SAN	1
20	1050	SCREW PAT TMT PHL 5X35 BLACK	6
21	725	SCREW M 5X25	4
22	1035	NUT M 5	4
23	2591 SLVHA	MOTOR-FASTENER 99 WL VHA	1
24	21860	"L" GASKET D.130	1
25	7585 TP	MOT.TS25 CPTP 1000W 220-240 50/60 M	1
26	7890	L-GASKET D.130 H=9	1
27	7164	OUTDISTANCED SINGLE-STAGE H=13MM	1
28	3901	"L" GASKET W/O HOLES H=5,5	1
29	3190 GVHA/SL	BASE 500 MONO WL W/GASKET VHA	1
30	7765/C SL VHA	CARTRIDGE SUPPORT WL VHA	1
31	21036	FILTER BLOCK BRACKET CLASS H	1
32	3156	SCREW PAT TMT PHL 5X20 INOX	4
33	20232	STRAIN RELIEF SET V5 UK	1
34	7877	NYLON "P" CABLE HOLDER	1
35	1302	RIVET 4,8X17	1
36	1004	SCREW PAT TCB 4,5X20 ZN BLACK	1
*	7632	ELECTRIC KIT 43CM MOTOR	1

FILTRATION KIT

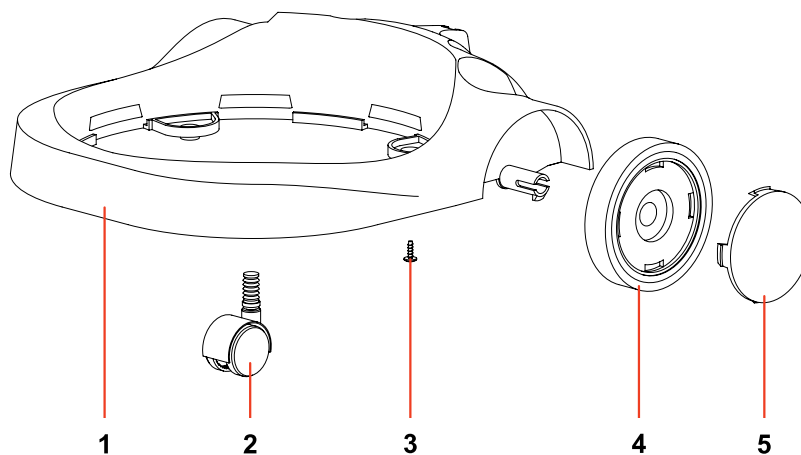
POS.	REF.	DESCRIPTION	N°
1	7768	HEPA CARTRIDGE D.175X118 H=250	1

FILTER

POS.	REF.	DESCRIPTION	N°
1	21177	KIT FILTER+RING PES 300	1



TANK PL.202/27 HOSP-A.BAT G/1847 C REF. 21154 VHA			
POS.	REF.	DESCRIPTION	N°
1	2652 AVHA	INLET R 155 VHA	1
2	2846	GASKET D.38	1
3	2593VHA	DEFLECTOR 99 VHA	1
4	2586VHA	GASKET R 205 VHA	1
5	21153VHA	TANK PL.202/27 VHA ECO-H	1
6	1026	SCREW PAT TMT PHL 5X30 BLACK	4
7	1302	RIVET 4,8X17	4
8	1847/SVHA	COMPLETE PLASTIC HOOK VHA	2



TROLLEY 500 ECO-H VHA T/PLAST REF. 20884VHA PL			
POS.	REF.	DESCRIPTION	N°
1	20744VHA	TROLLEY BODY 500 VHA	1
2	558	TROLLEY BOX WHEEL	2
3	1005	SCREW PAT TMT PHL 5X14 ZN BLACK	4
4	6043	WHEEL BODY YES	2
5	6044VHA	WHEEL COVERING YES VHA	2