

### Head

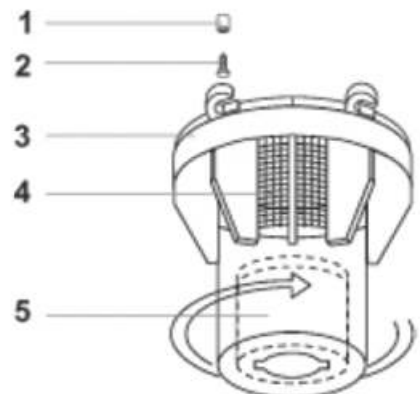
Assembly Part No: 3062

POS	PART NUMBER	DESCRIPTION	#
1	VP00489 AUS	ELECTRIC CORD 3X1.5 (AUS)	1
2	VP00138	CABLE SLEEVE	1
3	VP00139	CABLE CLAMP	1
4	VP01006	SCREW PFU TMT PHL 5X20	2
5	VP03032	ELECTRIC CORD HOOK MEC 600	1
6	VP01054	SCREW PAT TMT PHL 5X50	4
7	VP03034	HANDLE MEC 600	1
8	VP01050	SCREW PAT TMT PHL 5X35	2
9	VP01006	SCREW PFU TMT PHL 5X20	4
10	VP01005	SCREW PAT TMT PHL 5X14	2
11	VP00490	TERMINAL BLOCK "G"	1
12	VP01054	SCREW PAT TMT PHL 5X50	2
13	VP03051	COVER MEC 600 2 MOTORS	1
14	VP01006	SCREW PFU TMT PHL 5X20	2
15	VP00484	ANTISPLASH SWITCH	2
16	VP03937	FILTER MTP/65 H=15 D.95	2
17	VP01054	SCREW PAT TMT PHL 5X50	9
18	VP01502	GUIDING SLIT FOR QUICK COUPLING	1
19	VP03383	COVERING CUP	1
20	VP02957	COVERING NEVADA 600	1
21	VP02627	SCREW PAT TMT PHL 5X40	9
22	VP02627	SCREW PAT TMT PHL 5X40	3
23	VP02937	MOTORFASTENER NEVADA 600	1
24	VP01004	SCREW "TC" PHL 4.3X19	1
25	VPR3432	TERMINAL BOARD 4 POLES	1
26	VP03969	WASHER H8 D85X65	2
27	VP01004	SCREW "TC" PHL 4.3X19	8
28	VP03901	"L" GASKET WO/H H=5,5	2
29	VP03975 S	MOTOR BD382 1200W 250 50/60 (Australia Only)	2
29	VP03890 S	MOTOR BD382 1200W 230V 50/60 (New Zealand only)	2
30	VP03901	"L" GASKET WO/H H=5,5	2
31	VP01006	SCREW PFU TMT PHL 5X20	4
32	VP03901	"L" GASKET WO/H H=5,5	1
33	VP03451	FEIGNED MOTOR	1
34	VP03454	NOISE FILTER MTP/30 AU SP.45	3
35	VP03456	GASKET MTP/30 AU-AD 50X10X125	3
36	VP00468	AUTOMATIC VALVE	2
37	VP03519	BASE CUP	1
38	VP03600 SUB	BASE 600/400 SUB	1
*	VP01101	CONNECTING WIRES	8
*	VP01102	CONNECTING WIRES	1
*	VP01106	CLIP	3
41	VP01854	NUT 4 MA	4
42	VP06377	SCREW TSP CROSS M 4X12 UNI 7688	4
43	VP03452	SOCKET W/PROTECTION (EUROPEAN)	1
43	VP06495	SOCKET 3 PIN AUSTRALIA	1
43	VP06496	SOCKET FLAP 3 PIN AUSTRALIA	1
44	VP03453	SCHUKO GASKET SOCKET	1

### Filter

Assembly Part No: 3068

POS	PART NUMBER	DESCRIPTION	#
1	VP03706	PLASTIC SLEEVE D.8	4
2	VP03724	SCREW SS 5X25 PHILLIPS ANTIFOAM	4
3	VP02823	ANTI FOAM BODY 99	1
4	VP03117	FILTER NET 0.3 D.90H=58	1
5	VP02676	HIGHER FLOAT 99	1

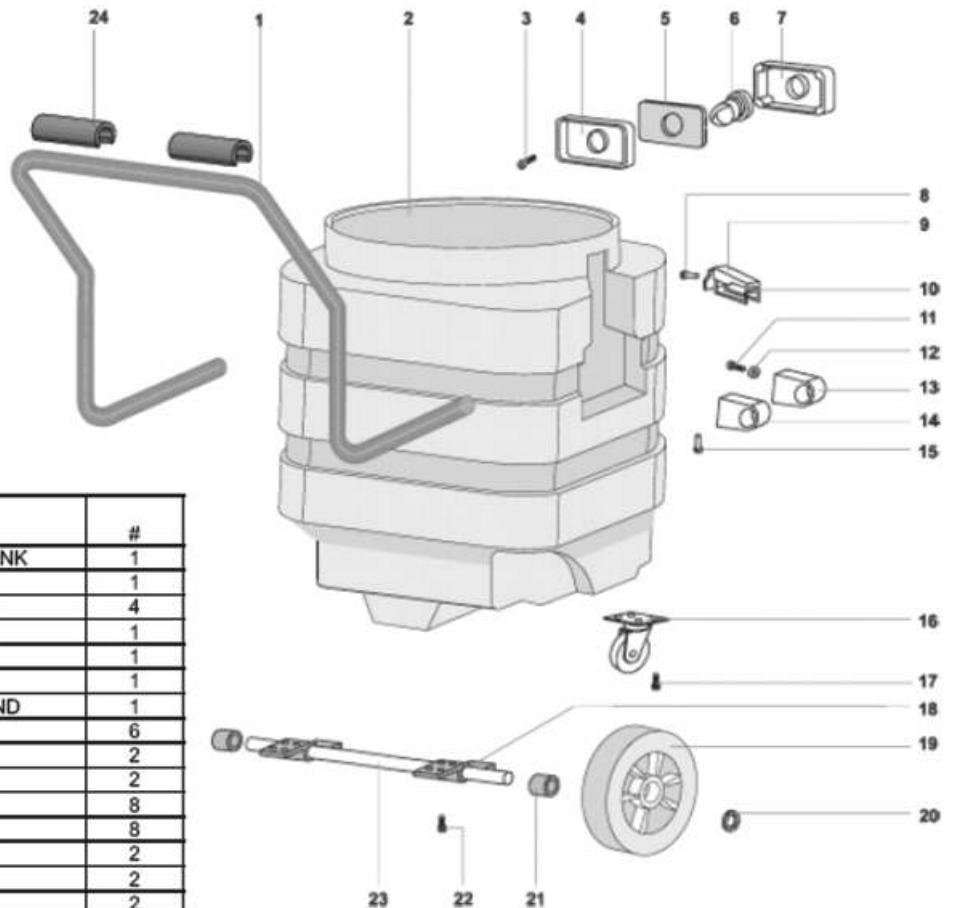
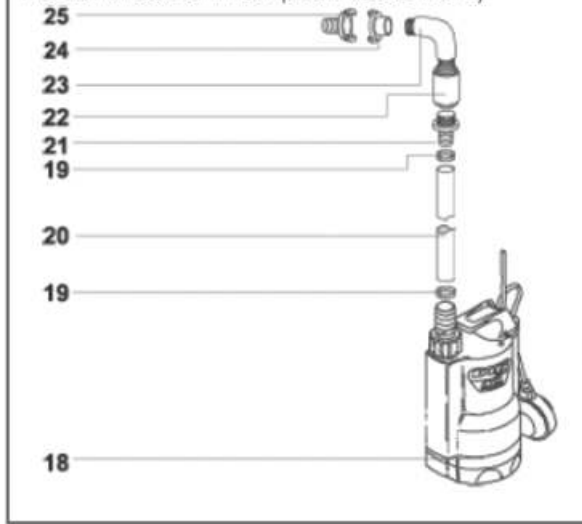


### Model VH0623PL Pumpout Version Only

### Pump

Assembly Part No: 1479

POS	PART NUMBER	DESCRIPTION	#
18	VP01449	IMMERSED PUMP	1
19	VP01736	CLIPS D.40	2
20	VP01452	ANTIFROST TUBE D.30X300	1
21	VP06467	BRASS NIPPLE 1" M D.30	1
22	VP01456	BOTTOM VALVE 1"	1
23	VP06466	BRASS ELBOW 90° 1" M-1" M	1
24	VP06469	RAPID BRASS COUPLING 1"F.	1
25	VPR3470	TERM.BOARD BASE SHAKERFILTER	1



### Tank

Assembly Part No: 2624

POS	PART NUMBER	DESCRIPTION	#
1	VP02558 V	BIG HANDLE - MARK PLAST TANK	1
2	VP02623	PLAST MARK TANK 400 SUB	1
3	VP01026	SCREW 5X30	4
4	VP02584	GASKET	1
5	VP02846	GASKET D.38	1
6	VP02593	DEFLECTOR	1
7	VP02652 A	COMPLETE INLET MACHINE END	1
8	VP01300	RIVET 5X24,5	6
9	VP00125	HOOK	2
10	VP00126	STEEL CLAMP	2
11	VP01050	SCREW 5X35	8
12	VP03883	COMPLETE SEAL	8
13	VP01072	HANDLE SUPPORT HEAD	2
14	VP01860	HANDLE BRACKET	2
15	VP01302	RIVET 5X19	2
16	VP02559	FLANGED WHEEL D.80	2
17	VP02680	SCREW 4X15	8
18	VP02556	AXLE BRACKET	2
19	VP00904	WHEEL MARKET TIPPING TROLLEY	2
20	VP02557	BLOC D.18	2
21	VP02607	WHEEL BUSH	2
22	VP01006	SCREW 5X20	8
23	VP02555	AXLE	1
24	VP06250	PLAST.TROLLEY HANDLE	2
25	VP06454	GASKET 1-1/2"	2
26	VP06453	INLET 1-1/2"	1
27	VP00803	RING 1-1/2"	1
28	VP06458	"SUB" FAIRLEAD	1
29	VP06452	RING NUT 1-1/2"	1