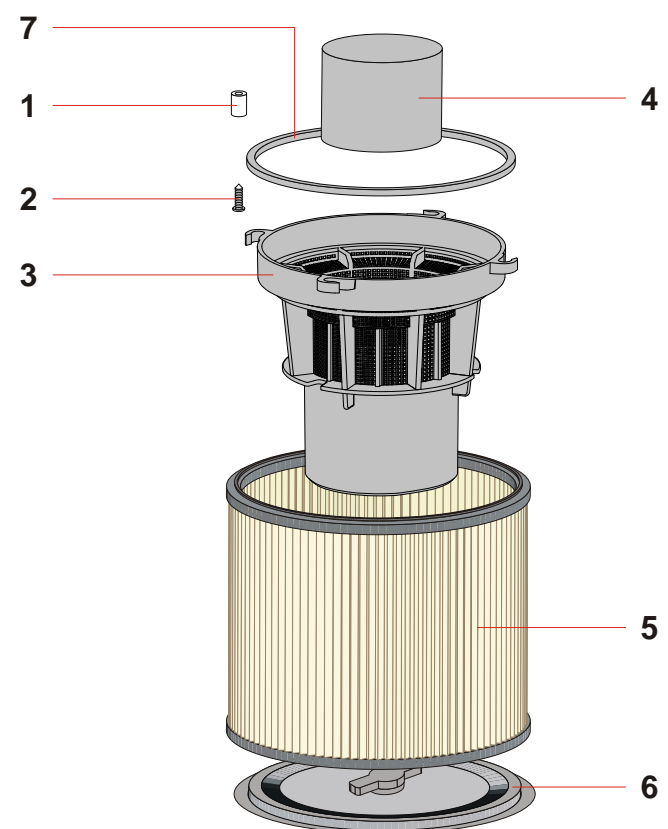
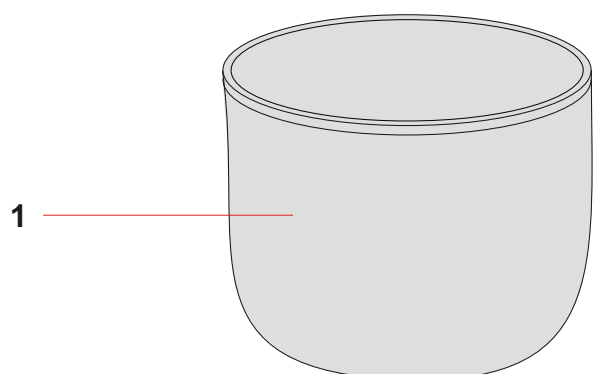


HEAD KOALA 423 250V AZ/G6 C/AUS REF. 6112/1200 KAU			
POS	REF	DESCRIPTION	N°
1	4062 AUS	CAVO ELETTRICO 2X1,5 MT.8,5 AUS	1
2	138	FAIRLEAD	1
3	139	CABLE CLAMP	1
4	1006	SCREW PFU TMT PHL 5X20 BLACK	2
5	1054	SCREW PAT TMT PHL 5X50	4
6	6097AZ	HANDLE PANDA 600 (LIGHT BLUE)	1
7	1979	SCREW PFU TMT PHL 5X25 ZN BLACK	2
8	1054	SCREW PAT TMT PHL 5X50	2
9	1005	SCREW PAT TMT PHL 5X14 ZN BLACK	2
10	3496	TERMBOARD 400-600 2MOT.	1
11	1006	SCREW PFU TMT PHL 5X20 BLACK	2
12	6098G6	COVER PANDA 600 2M(GR6000)	1
13	1979	SCREW PFU TMT PHL 5X25 ZN BLACK	2
14	484	ANTISPLASH RED LIGHT SWITCHER	2
17	3937	FILTER MTP/65 H=15 D.95	2
18	3273	SCREW PAT TMT PHL 5X55 BLACK	9
19	1502	GUIDING SLIT FOR QUICK COUPLING	1
20	3383	COVERING CAP	1
21	21768AZ	COVERING 600 LIGHT BLUE	1
22	2627	SCREW PAT TMT PHL 5X40 BLACK	9
23	2627	SCREW PAT TMT PHL 5X40 BLACK	3
24	2937G6	MOTOR-FASTENER NEV.600 GREY 6000	1
28	3969	WASHER H8 D85X65	2
29	1006	SCREW PFU TMT PHL 5X20 BLACK	8
31	3901	"L" GASKET W/O HOLES H=5,5	2
32	3975/E	MOT.BD382 1200W 240-250 50/60 AL	2
33	3901	"L" GASKET W/O HOLES H=5,5	2
36	1006	SCREW PFU TMT PHL 5X20 BLACK	4
37	3901	"L" GASKET W/O HOLES H=5,5	1
38	3451	FEIGNED MOTOR	1
39	3454	ANTINOISE TRIANGLE H=51	3
40	3456	GASKET MTP/30 AU-AD 50X10X85	3
41	468	AUTOMATIC VALVE	2
42	3519	BASE CAP	1
43	3108G6	COMPL.BASE 600/400 GREY6000	1
*	7632/PIL	ELECTRIC KIT 50CM POKE-IN MOTOR	2

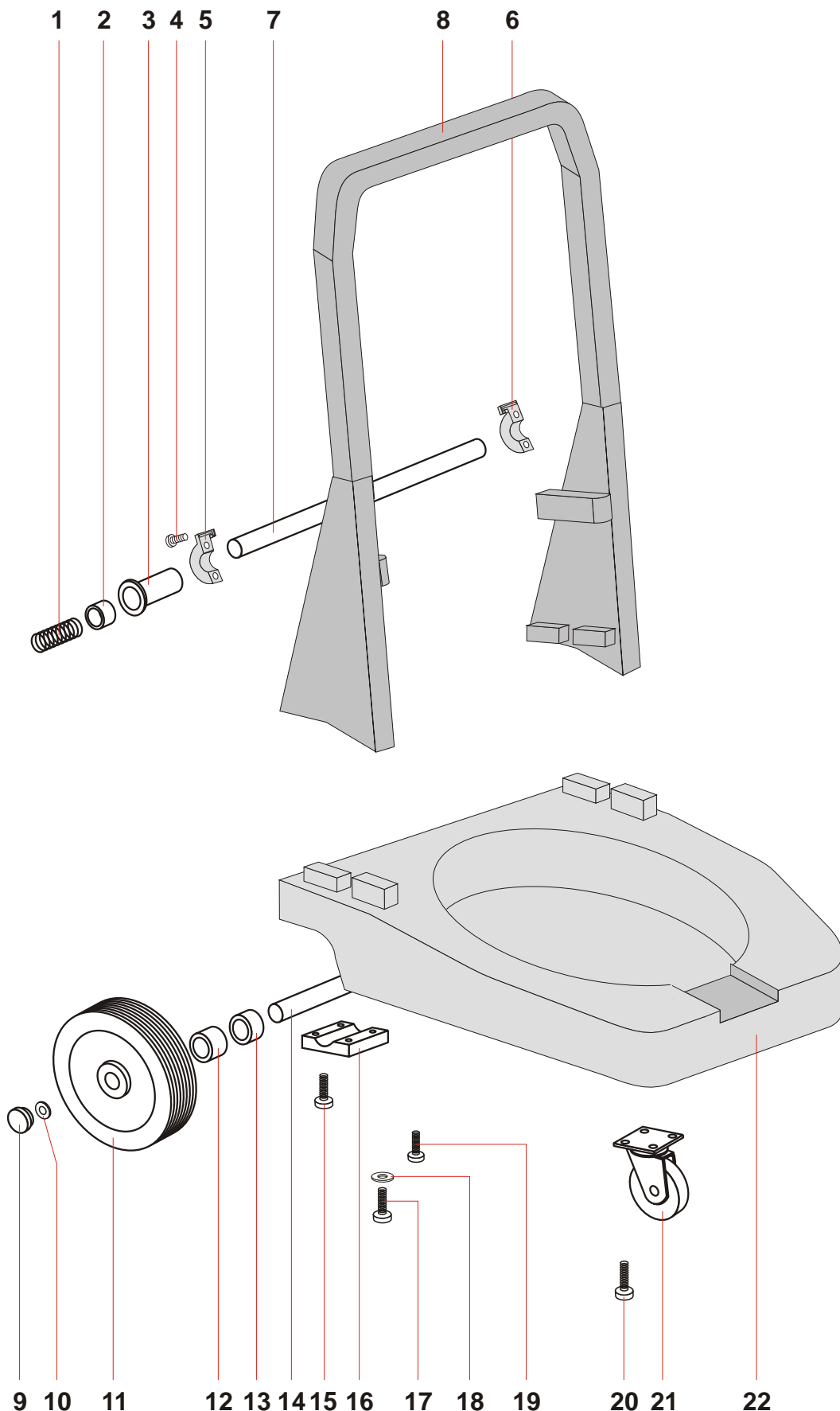
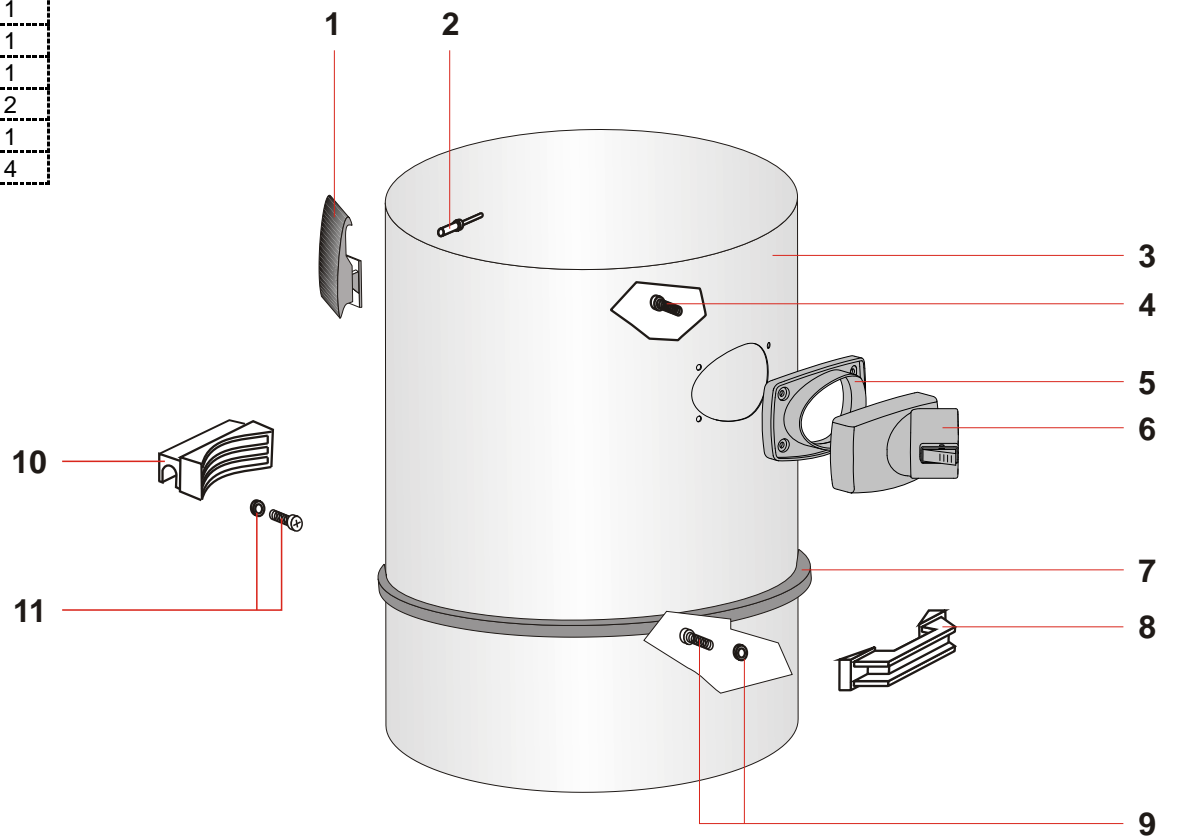


FILTRATION KIT 300/500/400/600 POLY REF. 21966 POLY			
POS.	REF.	DESCRIPTION	N°
1	3706	PLASTIC SLEEVE D.8	4
2	3724	SCREW PAT TMT PHL 5X25	4
3	21243NE	NET ANTIFOAM BODYHIGH	1
4	2676-1 G	HIGH FLOAT 99 WGASKET 37 SHA	1
5	6061	POLYESTER CARTRIDGE 175X145X163	1
6	2855	COMPL.RING FOR FILTER	1
7	3735-2	GASKETH3 DS50 W/ANTIFOAM BODY	1

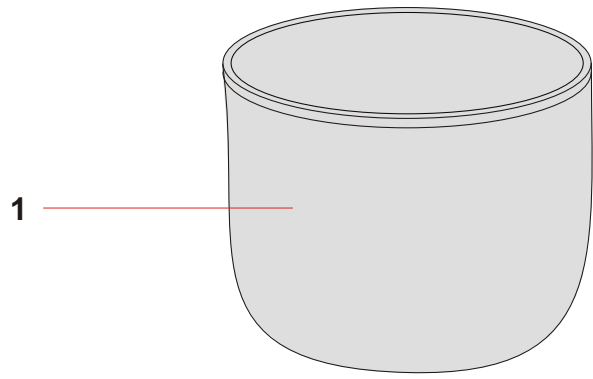


PREFILTER			
POS	REF.	DESCRIPTION	N°
1	21178	FILTER PCARBON 300 CONICAL	1

COMPL.TANK 400 EUR/B G6/AZ TANG.			REF. 3774 SPIN
POS.	REF.	DESCRIPTION	N°
1	1847/SG6	COMPLETE PLASTIC HOOK GREY6000	2
2	1300	RIVET 5X24,5	4
3	3773G4 TANG	TIPPING TANK EUROPA 400 G4 TANG.	1
4	1979	SCREW PFU TMT PHL 5X25 ZN BLACK	4
5	21647	TANGENTIAL INLET GASKET	1
6	21786 COND	COND.TANGENTIAL INLET W/RED BUTTON	1
7	3771AZ	SHOCK RESISTANT BAND 400 LIGHT BLUE	1
8	2993-1G6	GREY6000 HANDLE	1
9	3970	COMPLETE SEAL W/SCREW L=30	2
10	2172	HINGE PLASTIC TANK 400/S	1
11	3970	COMPLETE SEAL W/SCREW L=30	4



COMPL.TIPP.TROLLEY EUROPA 400			REF. 3775
POS.	REF.	DESCRIPTION	N°
1	2053	SPIRAL SPRING F/PLASTIC TANK 400/S	2
2	2607	WHEEL SPACER MARK.PL.TANK	2
3	2173	PIVOT HINGE PLASTIC TANK 400/S	2
4	3629	SCREW PAT TMT PHL 5X25 BLACK	4
5	3725 DX	RIGHT BLOCK-TUBE TIPPING TROLLEY	1
6	3725 SX	LEFT BLOCK-TUBE TIPPING TROLLEY	1
7	3751	TIPPING PIVOT D. 18X465 SP. 1,5 ZN.	1
8	3694	PLAST. BIG HANDLE GREY 6000	1
9	3835NE	WHEEL CAP D.200/250 BLACK	2
10	2557	BLOC D.18	2
11	904	REAR WHEEL D.200	2
12	2607	WHEEL SPACER MARK.PL.TANK	2
13	2980	SPACER BUSH	2
14	3752	WHEEL PIVOT D.18X505 SP. 1,5 ZN.	1
15	1026	SCREW PAT TMT PHL 5X30 BLACK	8
16	2967	LOCK PIVOT BRACKET	2
17	1050	SCREW PAT TMT PHL 5X35 BLACK	2
18	2974	PLAST. WASHER	6
19	2627	SCREW PAT TMT PHL 5X40 BLACK	12
20	1006	SCREW PFU TMT PHL 5X20 BLACK	8
21	2559	FLANGED WHEEL D.80	2
22	3797	BODY TIPP.TROLLEY EUROPA	1



PREFILTER			
POS	REF.	DESCRIPTION	N°
1	21178	FILTER PCARBON 300 CONICAL	2