

HC200A	HC235
HC205A	HC240A
HC215	HC240I
HAWK pumps	HC280A

ST series

Pos. I tem	Codice Part Number	Description	Descrizione	Q.tà/Pompa Q.ty/Pump	HC200A	HC205A	HC215	HC235	HC240A	HC240I	HC280A
1	0202.02	Crankcase	Carter	1							
*2	0001.01	Plunger oil seal	Anello radiale	3	◆	◆	◆	◆	◆	◆	◆
*3	0601.07	"O" Ring Ø1.78x31,47	"O" Ring Ø1.78x31,47	3							
*4	1201.03	Pressure ring 18mm	Pressore Ø18	3	◆	◆			◆	◆	◆
	1201.04	Pressure ring 20mm	Pressore Ø20	3			◆	◆			
*5	0002.04	"V" seal, dia.18mm	Anello tenuta "V" Ø18	6	◆	◆			◆	◆	◆
	0002.05	"V" seal, dia.20mm	Anello tenuta "V" Ø20	6			◆	◆			
*6	0300.07	Support ring 18mm	Diffusore Ø18	6	◆	◆			◆	◆	◆
	0300.09	Support ring 20mm	Diffusore Ø20	6			◆	◆			
*7	0300.06	Intermed. ring 18mm	Diffusore Interm. Ø18	3	◆	◆			◆	◆	◆
	0300.08	Intermed. ring 20mm	Diffusore Interm. Ø20	3			◆	◆			
8	1601.17	Brass plug G3/8	Tappo G3/8	3							
9	0603.06	Copper washer 3/8	Guarnizione rame G3/8	2							
10	1602.07	Manifold housing	Testata	1							
*11	0601.06	"O" Ring Ø2.62x18.72	"O" Ring Ø2.62x18.72	6							
*12	3604.10	Valve assembly	Valvola premontata	6							
*13	0601.05	"O" Ring Ø2.62x23.47	"O" Ring Ø2.62x23.47	6							
14	1601.07	Valve plug	Tappo valvola	6							
15	1400.01	Washer	Rosetta Ø8.5	8	◆	◆	◆	◆	◆	◆	◆
16	1801.04	Manifold stud bolt	Vite M8x65	8							
17	1503.00	Valve seat	Sede valvola	6							
18	1202.00	Valve plate	Piattello valvola	6							
19	0900.04	Valve spring	Molla valvola	6							
20	0604.00	Valve cage	Gabbia valvola	6							
21	1400.02	Washer	Rosetta Ø6,5	8(4)							
22	1802.07	Hexagonal screw	Vite M6x18	8(4)							
23	0205.01	Shaft protector	Protezione albero	1	◆				◆	◆	◆
24	0500.09	Open flange	Flangia cuscinetto	2(1)	◆				◆	◆	◆
25	0601.09	"O" Ring Ø2.62x61.6	"O" Ring Ø2.62x61.6	2(1)	◆	◆	◆	◆	◆	◆	◆
26	0001.06	Shaft oil seal	Anello radiale	2(1)	◆				◆	◆	◆
27	0213.00	Ball bearing	Cuscinetto a sfere	2							
28	1802.13	Hexagonal screw	Vite M6x18	4							
29	0203.18	Bearing cover	Coperchio cuscinetto	1	◆	◆	◆	◆	◆	◆	◆
30	0700.03	Sight glass	Spia livello olio	1							
31	0601.83	"O" Ring Ø3.53x55.56	"O" Ring Ø3.53x55.56	1							
32	0004.16	Crankshaft (2 PTO)	Albero (2 presa forza)	1	◆						
	0004.17	Crankshaft (2 PTO)	Albero (2 presa forza)	1					◆		
	0004.23	Crankshaft (2 PTO)	Albero (2 presa forza)	1							◆
	0004.28	Crankshaft (2 PTO)	Albero (2 presa forza)	1						◆	
33	0004.20	Crankshaft (Hollow)	Albero (cavo)	1		◆	◆				
	0004.21	Crankshaft (Hollow)	Albero (cavo)	1				◆			
34	0004.29	Crankshaft (1 PTO)	Albero (1 presa forza)	1					◆		
	0004.31	Crankshaft (1 PTO)	Albero (1 presa forza)	1	◆						
	0004.33	Crankshaft (1 PTO)	Albero (1 presa forza)	1							◆
	0004.39	Crankshaft (1 PTO)	Albero (1 presa forza)	1						◆	
35	0206.00	Crankshaft key	Chiavetta	1						◆	
	0206.03	Crankshaft key	Chiavetta	1	◆	◆	◆	◆	◆		◆
36	1600.03	Oil dip stick	Tappo livello olio	1							
*37	1800.01	Plunger bolt	Vite pistone	3	◆	◆	◆	◆	◆	◆	◆
*38	0601.03	"O" Ring Ø1.78x7.66	"O" Ring Ø1.78x7.66	3							
*39	0009.04	Teflon ring	Anello antiestrusione	3							

Pos. Item	Codice Part Number	Description	Descrizione	Q.tà/Pompa Q.ty/Pump	HC200A	HC205A	HC215	HC235	HC240A	HC240I	HC280A
*40	1400.12	Copper spacer	Rosetta rame	3	◆	◆	◆	◆	◆	◆	◆
*41	1200.09	Plunger 18mm	Pistone Ø18	3	◆	◆			◆	◆	◆
	1200.10	Plunger 20mm	Pistone Ø20	3			◆	◆			
*42	1400.15	Copper spacer	Rosetta rame	3							
43	0003.09	Plunger rod	Asta pistone	3							
44	1502.02	Connecting rod pin	Spinotto	3	◆	◆	◆	◆	◆	◆	◆
45	0100.02	Connecting rod	Biella	3							
46	1801.12	Cover screw	Vite M6x16	4							
47	0700.01	Sight glass	Spia livello olio	1	◆				◆	◆	◆
48	0603.02	Gasket, G3/8	Guarnizione G3/8	1	◆	◆	◆	◆	◆	◆	◆
49	0203.06	Crankcase cover	Coperchio	1	◆				◆	◆	◆
	0203.24	Crankcase cover	Coperchio	1	◆	◆	◆	◆	◆	◆	◆
50	0600.06	Cover gasket	Guarnizione coperchio	1		◆	◆	◆	◆	◆	◆
51	0001.02	Shaft oil seal	Anello radiale	1		◆	◆	◆			
52	0500.15	Motor flange	Flangia motore	1		◆	◆	◆			

  Part available
in kit only

*Particolare disponibile
solo in kit*

  Part available
in kit also

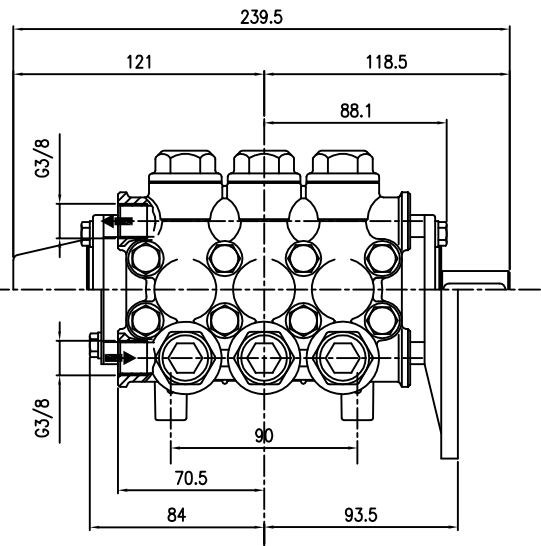
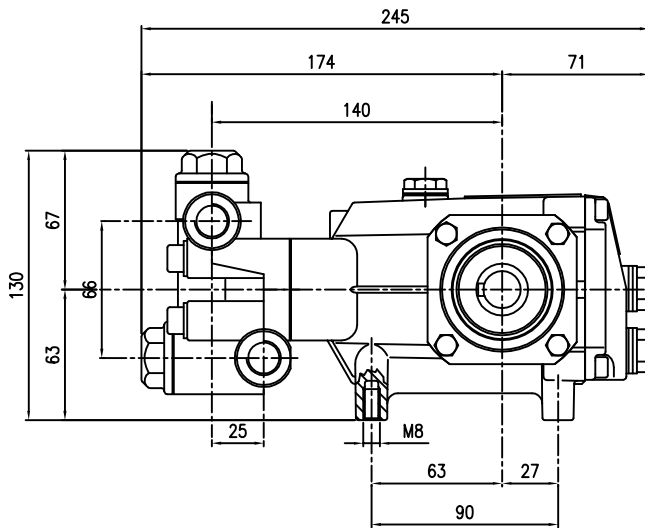
*Particolare disponibile
anche in kit*

SPARE PARTS KIT

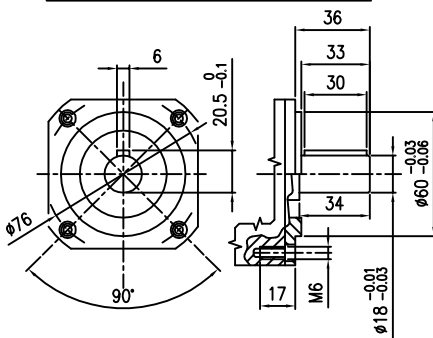


Posizioni	Item	Part Number & Description	Codice e Descrizione	Q.tà/Pompa Q.ty/Pump	HC200A	HC205A	HC215	HC235	HC240A	HC240I	HC280A
3- 5- 6		2612.06 Plunger "V" Seals 18 mm	2612.06 Guarniz. pistone "V"Ø18	1	◆	◆			◆	◆	◆
		2608.01 Plunger "V" Seals 20 mm	2608.01 Guarniz. pistone "V"Ø20	1			◆	◆			
2- 3- 4- 5- 6- 7		2612.08 Complete "V"seal Packing 18 mm	2612.08 Pacco completo "V" Guarnizioni pistone Ø18	3	◆	◆			◆	◆	◆
		2608.15 Complete "V"seal Packing 20 mm	2608.15 Pacco completo "V" Guarnizioni pistone Ø20	3			◆	◆			
37-38-39-40-41 42		2612.07 Plunger 18 mm	2612.07 Pistone Ø18	3	◆	◆			◆	◆	◆
		2608.02 Plunger 20 mm	2608.02 Pistone Ø20	3			◆	◆			
11- 12- 13		2600.02 Complete Valve	2600.02 Valvola completa	6	◆	◆	◆	◆	◆	◆	◆
2		2600.03 Plunger oil Seals	2600.03 Anelli tenuta olio Asta	1	◆	◆	◆	◆	◆	◆	◆

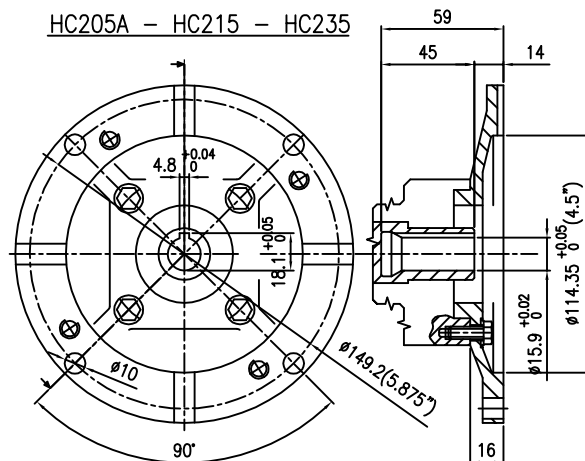
Pumps Pompe	Inlet port Aspirazione	Outlet port Mandata	Temperature Temperatura	Lubrication Lubrificazione	Capacity liters Capacità litri	Weight Kg Peso Kg
HC200A	G 3/8	G 3/8	Max water Temp. 160°F Temp. max. acqua 70°C	Oil/Olio SAE 20/40W	0.4	7.8
HC205A						7.9
HC215						7.9
HC235						7.9
HC240A						7.8
HC240I						7.8
HC280A						7.8



HC200A - HC240A - HC280A



HC205A - HC215 - HC235



HC240I

